

# SUMMIT-XL HL



ROBUST MOBILE PLATFORM WHICH  
ALLOWS MOUNTING  
**MECANUM & CONVENTIONAL**  
**WHEELS: OMNIDIRECTIONAL**  
CONFIGURATION &  
**SKID-STEERING** CONFIGURATION

RESEARCH & DEVELOPMENT

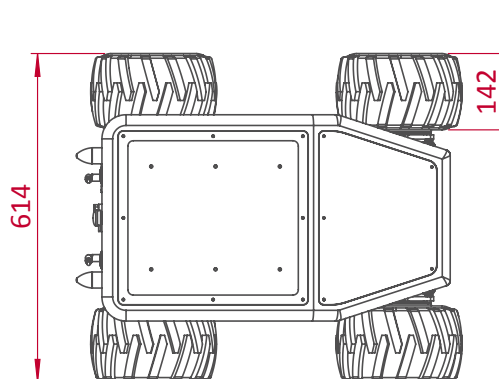
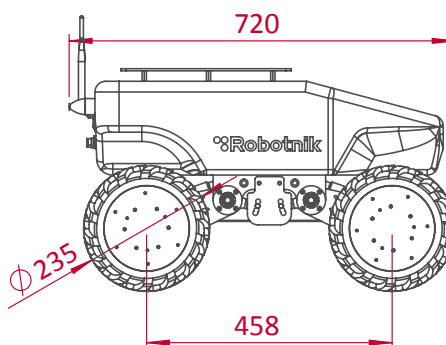
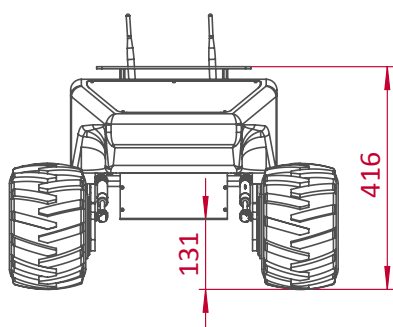
SURVEILLANCE

MILITARY

REMOTE MONITORING

ACCESS TO HAZARDOUS AREAS





## TECHNICAL SPECIFICATIONS

### MECHANICAL

Dimensions	<b>720 x 614 x 416 mm</b>
Weight	<b>65 Kg</b>
Load capacity	<b>65 Kg</b>
Speed	<b>3 m/s</b>
Ambient	<b>Indoor/Outdoor</b>
Autonomy	<b>10 h continuous motion</b>
Batteries	<b>LiFePO<sub>4</sub> 15Ah@48V</b>
Traction system	<b>4 wheels</b>
Traction motors	<b>4 x 500 W brushless servomotors</b>
Temperature range	<b>0° to +50°C</b>
Max. slope	<b>80 %</b>

### CONTROL

Controller	<b>Open architecture ROS Integrated PC with Linux</b>
Communication	<b>WiFi 802.11n</b>
Connectivity	<b>Internal: USB, RS232 and GPIO External: USB, RJ45, 12 VDC and battery</b>