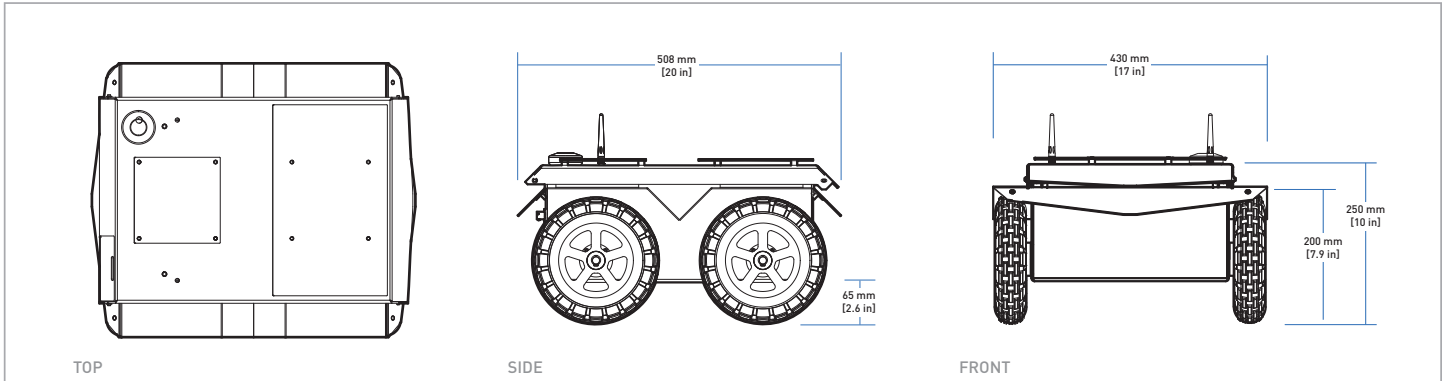


JACKAL™

UNMANNED GROUND VEHICLE



TECHNICAL SPECIFICATIONS

SIZE AND WEIGHT		
EXTERNAL DIMENSIONS (L x W x H)	508 x 430 x 250 mm (20 x 17 x 10 in)	
INTERNAL STORAGE DIMENSIONS	250 x 100 x 85 mm (10 x 4 x 3 in)	
WEIGHT	17 kg (37 lbs)	
GROUND CLEARANCE	65 mm (2.6 in)	
SPEED AND PERFORMANCE		
MAX. PAYLOAD	20 kg (44 lbs)	
ALL-TERRAIN PAYLOAD	10 kg (22 lbs)	
MAX. SPEED	2.0 m/s (6.6 ft/s)	
DRIVE POWER	500 W	
BATTERY AND POWER SYSTEM		
BATTERY CHEMISTRY	Lithium Ion	
CAPACITY	270 Watt hours	
CHARGE TIME	4 hours	
RUN TIME	Heavy usage: 2 hours Basic Usage: 8 hours	
USER POWER	5 V at 5 A, 12 V at 10 A, 24 V at 20 A	
INTERFACING AND COMMUNICATION		
CONTROL MODES	Kinematic Commands — velocity, angular velocity Open Loop Motor Driver Commands — voltage Wheel Velocity Commands	
FEEDBACK	Battery and motor current Integrated GPS receiver Wheel velocity and travel Integrated gyroscope and accelerometer	
COMMUNICATION	Ethernet, USB 3.0, RS232. (IEEE 1394 available)	
DRIVERS AND APIs	Packaged with ROS Kinetic	
SUPPORTED OPERATING SYSTEMS	Ubuntu, Windows	
INTEGRATED ACCESSORIES (included)	Wireless Game controller, GPS, IMU, On-Board Computer, WIFI Adapter, Accessory Mounting Plates	
COMPUTER	Standard	Performance
	i3-4330TE WIFI Adapter Dual core, 2.4GHz 120 GB Hard Drive 4 GB RAM	Intel Core i5 4570T WIFI Adapter Dual core, 2.9GHz 128GB Hard Drive 4 GB RAM
ENVIRONMENTAL		
OPERATING AMBIENT TEMPERATURE	-20 to 45 °C (-4 to 113 °F)	

Contact us today for pricing and a free 30 minute technical assessment: 1-800-301-3863