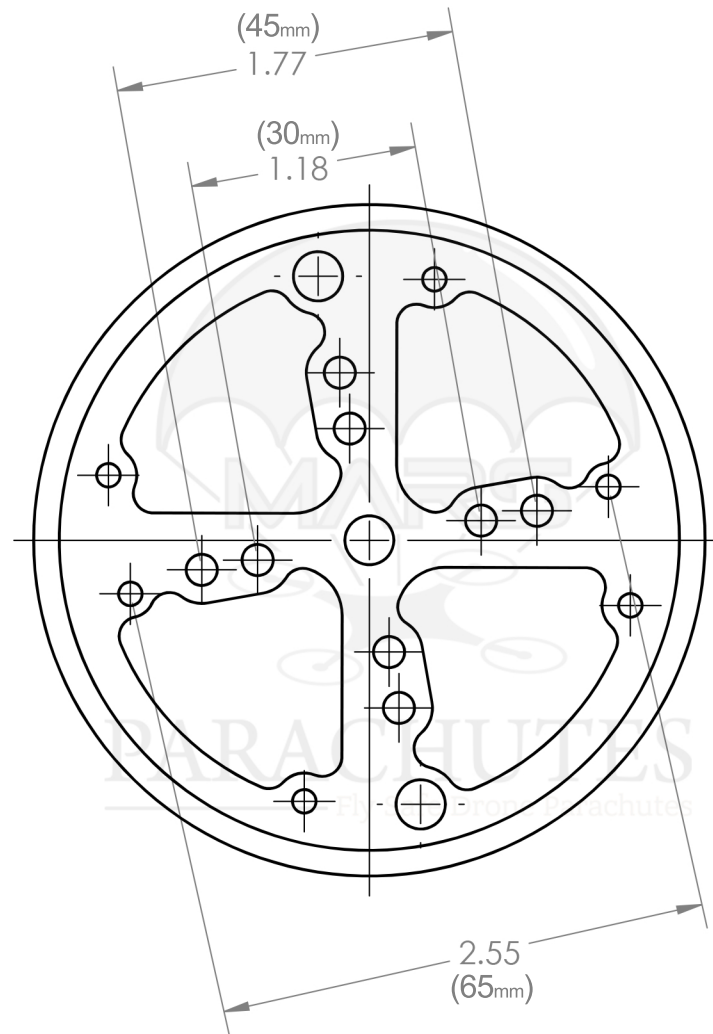




MARS
PARACHUTES
Fly Safe Drone Parachutes



* To print properly, print at 100% scale.
Turn off any fit to page options in printer properties

MARS 120 V2