



Mounting kit

SICK
Sensor Intelligence.



Illustration may differ

Ordering information

Type	Part no.
Mounting kit	2093194

Other models and accessories → www.sick.com/

Detailed technical data

Technical specifications

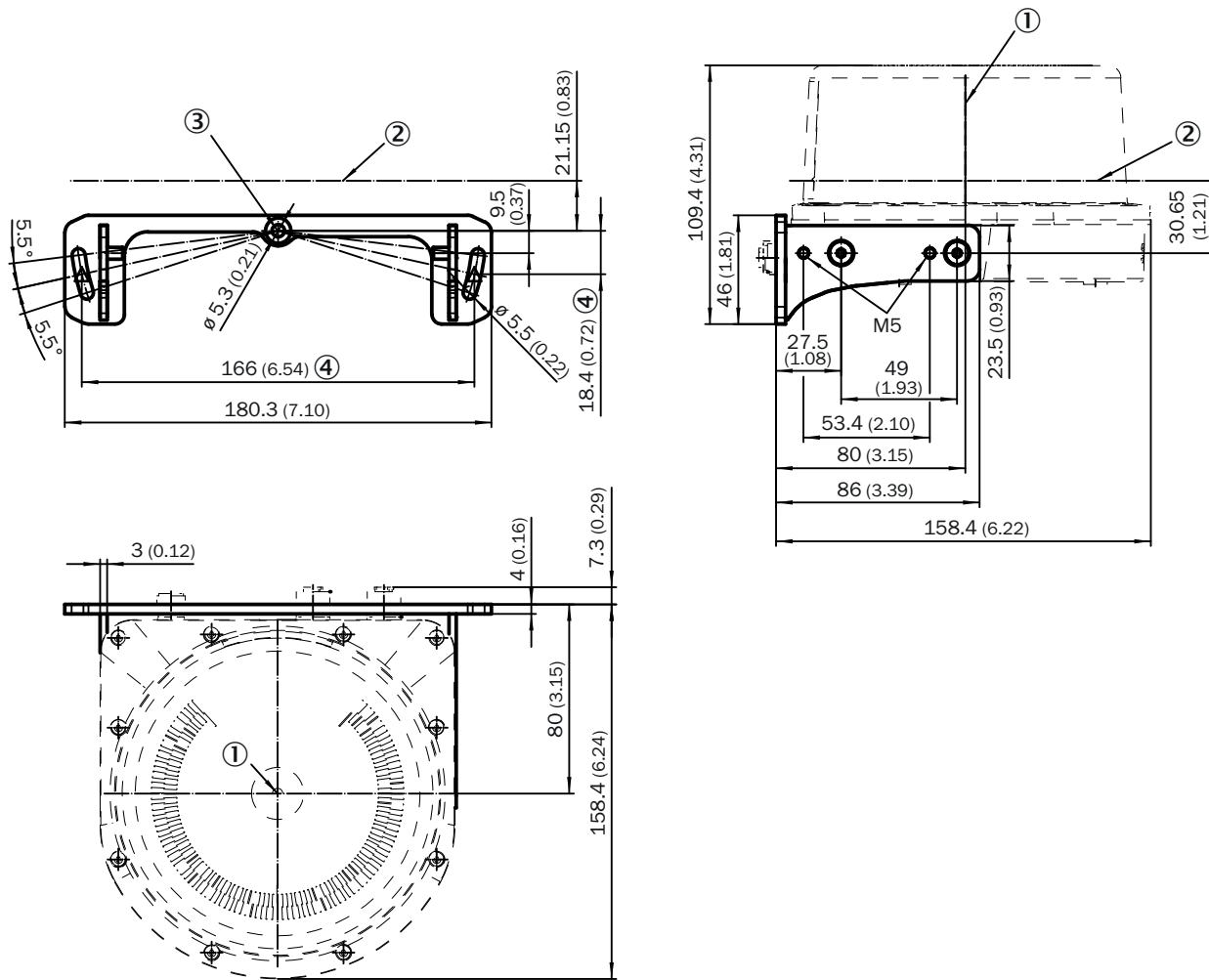
Accessory group	Terminal and alignment brackets
Accessory family	Alignment brackets
Material	X6CRNIT1810 (1.4541)
Dimensions (W x H x L)	86 mm x 46 mm x 180 mm
Description	Easy Mount
Weight	195 g

Classifications

ECl@ss 5.0	27279202
ECl@ss 5.1.4	27279202
ECl@ss 6.0	27279202
ECl@ss 6.2	27279202
ECl@ss 7.0	27279202
ECl@ss 8.0	27279202
ECl@ss 8.1	27279202
ECl@ss 9.0	27273701
ECl@ss 10.0	27273701
ECl@ss 11.0	27273701
ETIM 5.0	EC002024
ETIM 6.0	EC002024
ETIM 7.0	EC002024
ETIM 8.0	EC002024
UNSPSC 16.0901	32131023

Dimensional drawing (Dimensions in mm (inch))

Mounting bracket



- ① Scan axis
- ② Scan plane 0°
- ③ Rotation axis
- ④ Tapped hole for countersunk screw M5

SICK AT A GLANCE

SICK is one of the leading manufacturers of intelligent sensors and sensor solutions for industrial applications. A unique range of products and services creates the perfect basis for controlling processes securely and efficiently, protecting individuals from accidents and preventing damage to the environment.

We have extensive experience in a wide range of industries and understand their processes and requirements. With intelligent sensors, we can deliver exactly what our customers need. In application centers in Europe, Asia and North America, system solutions are tested and optimized in accordance with customer specifications. All this makes us a reliable supplier and development partner.

Comprehensive services complete our offering: SICK LifeTime Services provide support throughout the machine life cycle and ensure safety and productivity.

For us, that is “Sensor Intelligence.”

WORLDWIDE PRESENCE:

Contacts and other locations –www.sick.com