



Mounting kit

SICK
Sensor Intelligence.



Ordering information

Type	Part no.
Mounting kit	2086761

Other models and accessories → www.sick.com/

Detailed technical data

Technical specifications

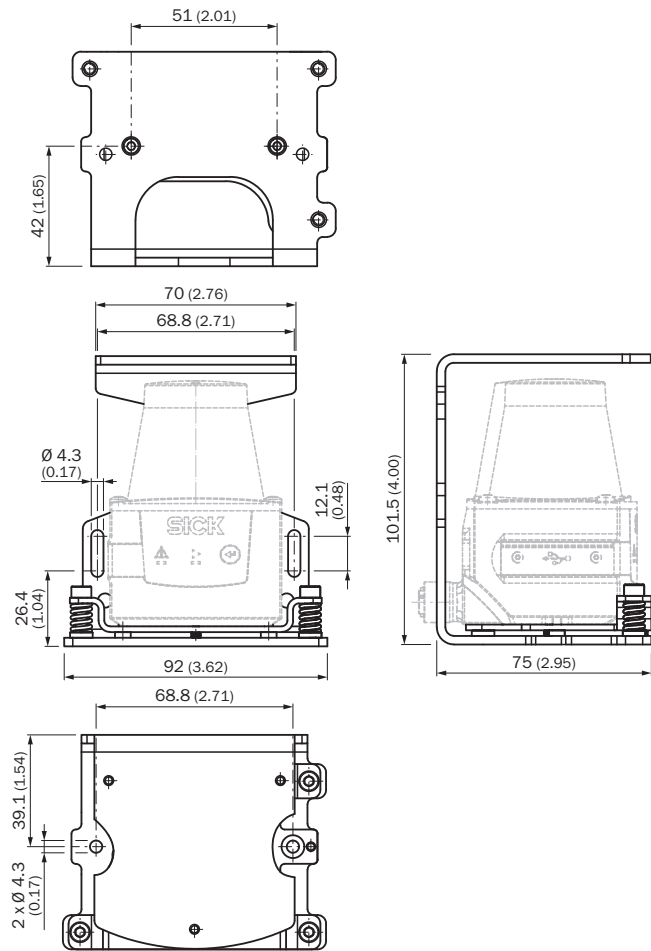
Accessory group	Mounting brackets and plates
Accessory family	Mounting brackets
Suitable for	TiM35x, TiM36x, TiM55x, TiM56x, TiM57x, TiM58x, TiM78x
Material	Anodized aluminum
Items supplied	Mounting hardware included
Dimensions (W x H x L)	101.5 mm x 92 mm x 75 mm
Description	Mounting kit, fender and alignment aid

Classifications

ECl@ss 5.0	27279202
ECl@ss 5.1.4	27279202
ECl@ss 6.0	27279202
ECl@ss 6.2	27279202
ECl@ss 7.0	27279202
ECl@ss 8.0	27279202
ECl@ss 8.1	27279202
ECl@ss 9.0	27273701
ECl@ss 10.0	27273701
ECl@ss 11.0	27273701
ETIM 5.0	EC002615
ETIM 6.0	EC002615
ETIM 7.0	EC002615
ETIM 8.0	EC002615
UNSPSC 16.0901	32131023

Dimensional drawing (Dimensions in mm (inch))

Dimensional drawing: mounting kit



SICK AT A GLANCE

SICK is one of the leading manufacturers of intelligent sensors and sensor solutions for industrial applications. A unique range of products and services creates the perfect basis for controlling processes securely and efficiently, protecting individuals from accidents and preventing damage to the environment.

We have extensive experience in a wide range of industries and understand their processes and requirements. With intelligent sensors, we can deliver exactly what our customers need. In application centers in Europe, Asia and North America, system solutions are tested and optimized in accordance with customer specifications. All this makes us a reliable supplier and development partner.

Comprehensive services complete our offering: SICK LifeTime Services provide support throughout the machine life cycle and ensure safety and productivity.

For us, that is “Sensor Intelligence.”

WORLDWIDE PRESENCE:

Contacts and other locations –www.sick.com