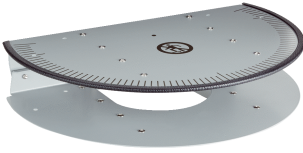


Weather hood, 210°

SICK
Sensor Intelligence.



Ordering information

Type	Part no.
Weather hood, 210°	2085939

Other models and accessories → www.sick.com/

Detailed technical data

Technical specifications

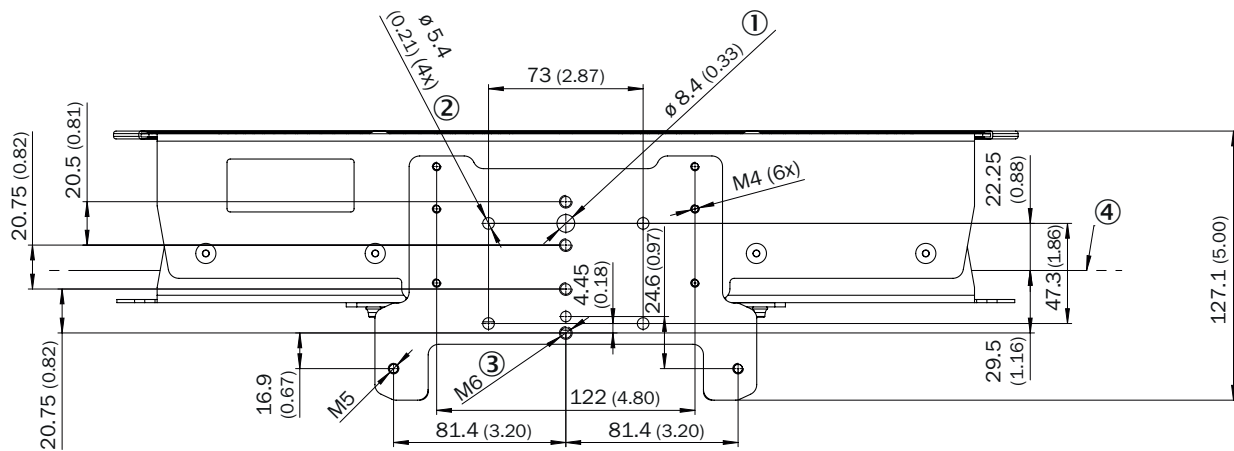
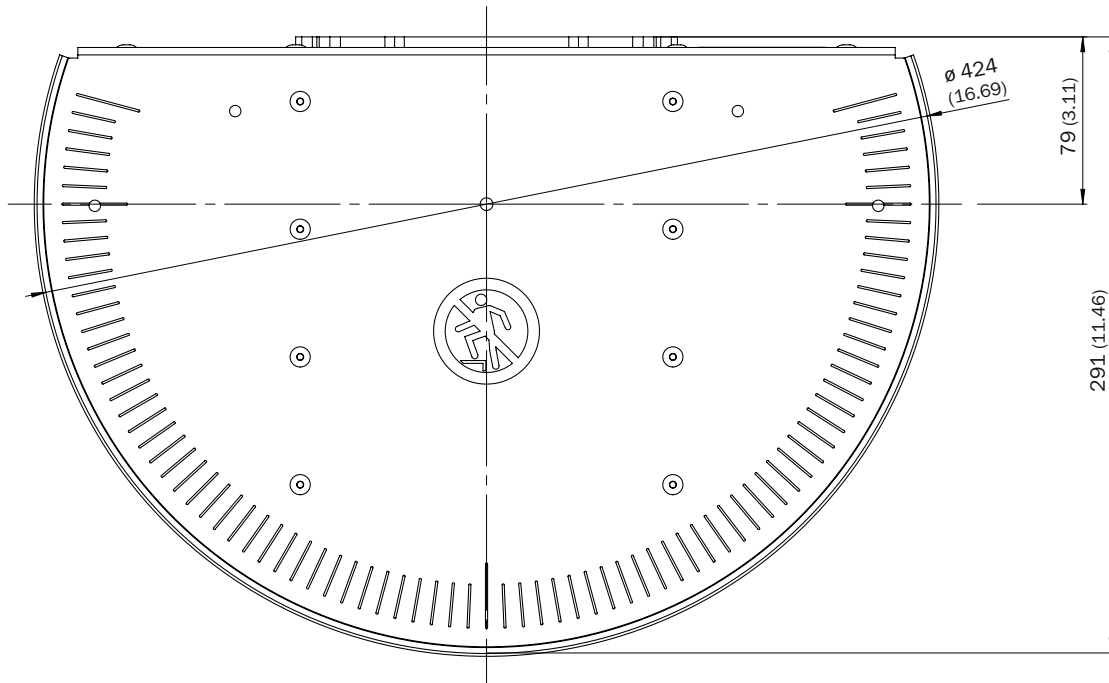
Accessory group	Device protection (mechanical)
Accessory family	Protective housings and protective pipes
Material	Stainless steel, Aluminum, powder coated
Dimensions (W x H x L)	292 mm x 126 mm x 424 mm
Description	Optics cover for protecting the front screen from weather conditions
Weight	1,455 g

Classifications

ECl@ss 5.0	27279202
ECl@ss 5.1.4	27279202
ECl@ss 6.0	27279202
ECl@ss 6.2	27279202
ECl@ss 7.0	27279202
ECl@ss 8.0	27279202
ECl@ss 8.1	27279202
ECl@ss 9.0	27273701
ECl@ss 10.0	27273701
ECl@ss 11.0	27273701
ETIM 5.0	EC000200
ETIM 6.0	EC000200
ETIM 7.0	EC000200
ETIM 8.0	EC000200
UNSPSC 16.0901	32131023

Dimensional drawing (Dimensions in mm (inch))

Weather hood, 210°



- ① Rotation point for cylinder pin \varnothing 8.2 mm (part 2079939)
- ② Depression for hexagon screw ISO 10642 - M5 for general mounting (as well as part 2076764 and part 2079939)
- ③ Mounting bracket M6 (part 2046025, part 2046989)
- ④ Scan plane 0°

SICK AT A GLANCE

SICK is one of the leading manufacturers of intelligent sensors and sensor solutions for industrial applications. A unique range of products and services creates the perfect basis for controlling processes securely and efficiently, protecting individuals from accidents and preventing damage to the environment.

We have extensive experience in a wide range of industries and understand their processes and requirements. With intelligent sensors, we can deliver exactly what our customers need. In application centers in Europe, Asia and North America, system solutions are tested and optimized in accordance with customer specifications. All this makes us a reliable supplier and development partner.

Comprehensive services complete our offering: SICK LifeTime Services provide support throughout the machine life cycle and ensure safety and productivity.

For us, that is “Sensor Intelligence.”

WORLDWIDE PRESENCE:

Contacts and other locations –www.sick.com